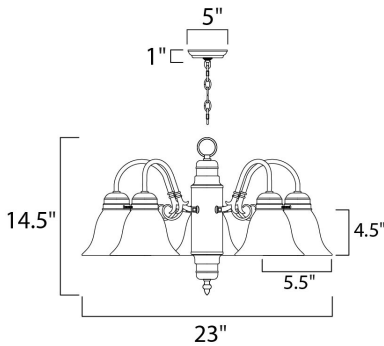




**PRODUCT DESCRIPTION**

Maxim Lighting's commitment to both the residential lighting and the home building industries will assure you a product line focused on your basic lighting needs. With the Builder Basics collection you will find quality lighting that is well designed, well priced and readily available.



**MEASUREMENTS**

DIMENSION : 23." W x 14.5" H  
 HANGING WEIGHT : 7.92 lb

**LAMPING**

LUMENS : 5,750 Rated (0 Del.)  
 BULB : 5 x 60W (NOT INCLUDED), 300W Total  
 DIMMABLE : Dimmable  
 COLOR\_TEMP : 2700K

**FINISHES OPTION**

Oil Rubbed Bronze Ol



**GLASS**

Marble MR

**MATERIAL**

Steel + Glass

**RATINGS**

cETLusDry Location  
 Dimmable



**ADDITIONAL**

INSTALL UP/DOWN:  
 RATED LIFE 2500 Hours  
 OPERATING TEMPERATURE:  
 -20°C (-4°F), 40°C (104°F)

Always consult a qualified electrician before installing any lighting product.



**WESTERN DISTRIBUTION CENTER (HEADQUARTER)**  
 253 NORTH VINELAND AVE | CITY OF INDUSTRY, CA 91746  
**EASTERN DISTRIBUTION CENTER**  
 4200 SHIRLEY DR. | ATLANTA, GA 30336  
 P. 626.956.4200 | F. 626.956.4225 | maximlighting.com