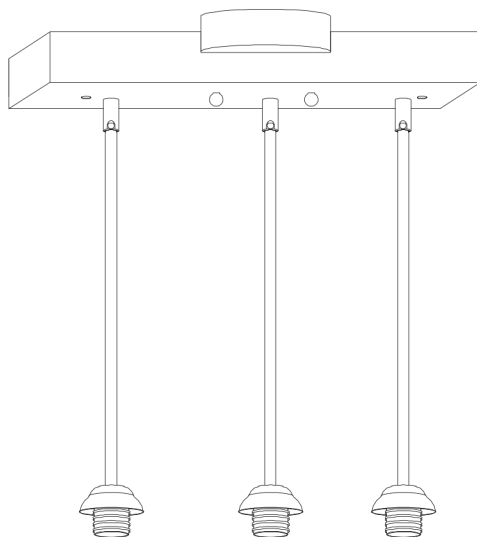


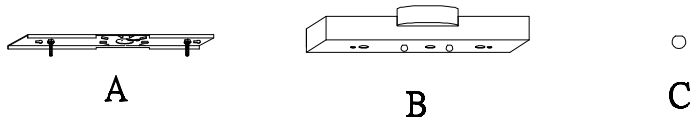


PRODUCT NAME: MINI PENDANT HANGER
ITEM NUMBER: 91000

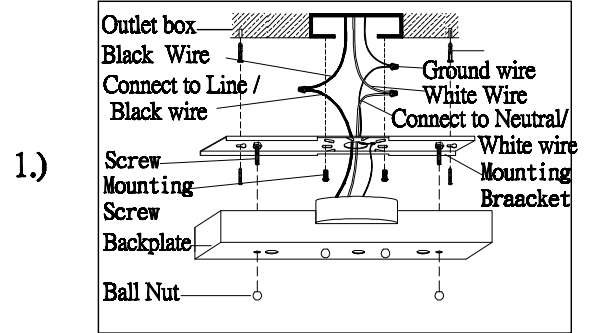
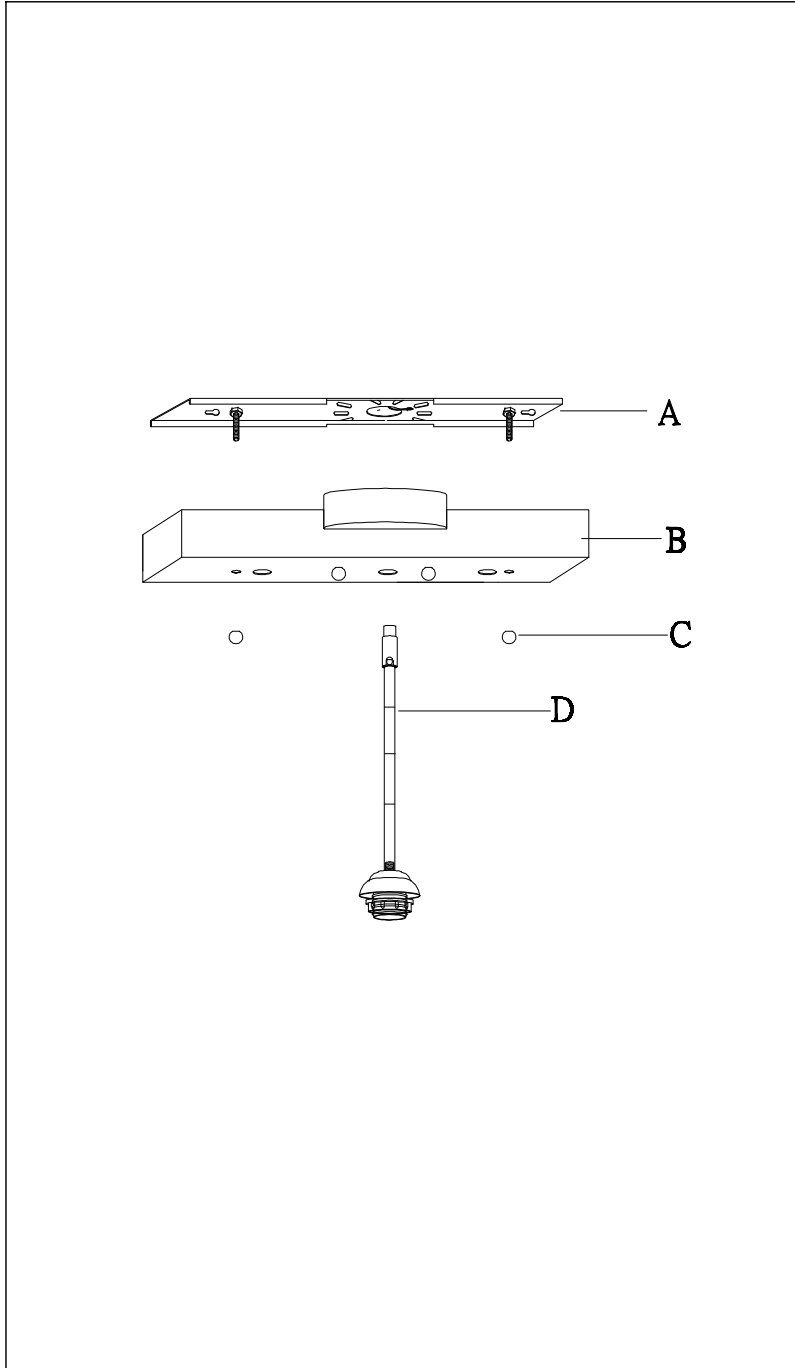
Please consult your electrician for hanging fixture and wiring.



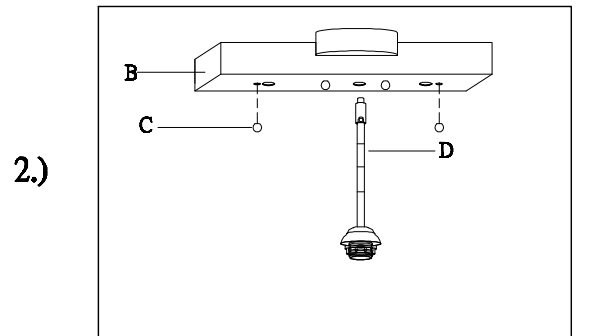
IMPORTANT: Turn off the power at the main fuse or circuit breaker box before starting installation



Locate all hardware & components before discarding packaging



Step.1: Remove mounting bracket from fixture and install to electrical box. Wire fixture to wires in outlet box. Copper wire is for Ground. On wire side



Step.2: The minipendant lamp(D) is not included for this item, it just for backplate

Cleaning & Care:

Clean with soft cloth and a mild detergent.
Do not use abrasive cleaner.