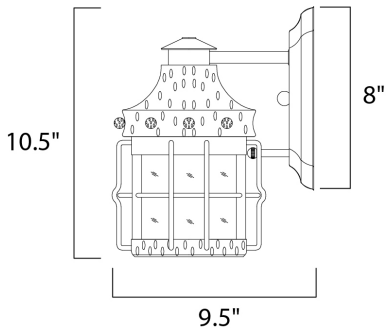




PRODUCT DESCRIPTION

Nantucket EE is a traditional, early American style, energy saving collection from Maxim Lighting International in Country Forge finish with Frosted Seedy glass.



MEASUREMENTS

DIMENSION : 6.5" W x 10.5" H x 9.5" Ext
 BACK PLATE : 4.5" W x 8." H x 4." HCO
 HANGING WEIGHT : 4.39 lb

LAMPING

INPUT VOLTAGE : 120V
 LUMENS : 900 Rated (0 Del.)
 BULB : 1 x 13W (INCLUDED), 13W Total
 CRI : 80+ CRI
 COLOR_TEMP : 2700K

FINISHES OPTION

Country Forge CF

GLASS

Frosted Seedy FS

MATERIAL

Forged Iron

RATINGS

cETLusWet Location



ADDITIONAL

INSTALL UP/DOWN:
 INCANDESCENT WATTS: 82
 RATED LIFE 10000 Hours
 OPERATING TEMPERATURE:
 -20°C (-4°F), 40°C (104°F)

Always consult a qualified electrician before installing any lighting product.



WESTERN DISTRIBUTION CENTER (HEADQUARTER)
 253 NORTH VINELAND AVE | CITY OF INDUSTRY, CA 91746
EASTERN DISTRIBUTION CENTER
 4200 SHIRLEY DR. | ATLANTA, GA 30336
 P. 626.956.4200 | F. 626.956.4225 | maximlighting.com