

### IMPORTANT SAFETY INFORMATION

**WARNING** Before starting the installation, disconnect the power by turning off the circuit breaker or removing the fuse at the fuse box.

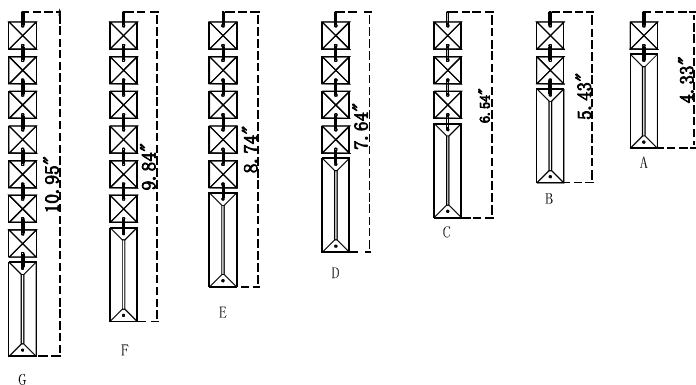
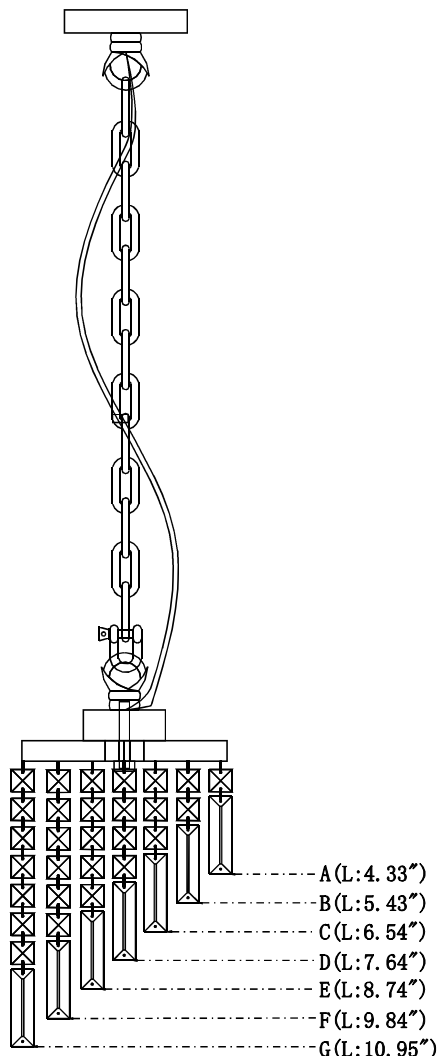
Proper wiring is essential for the safe operation of this fixture. All electrical connections must be in accordance with local codes, ordinances or the National Electrical Code. If you are unfamiliar with methods of installing electrical wiring, secure the services of a qualified licensed electrician.

Fixture must be grounded to avoid potential electrical shocks.

This fixture is designed for use in 120 volt, 60hz, fused circuits.

1. Turn breaker off for circuit on outlet where fixture is to be installed.
2. Install chain to fixture, loop wire through chain, unscrew ring from loop and lower down chain, install canopy over chain and attach chain to loop and cross bracket.
3. Attach cross bracket to outlet box, wire and move canopy to ceiling and screw ring onto loop.
4. It is recommended to use glove included and not touch crystal with bare fingers.
5. Install crystals A thru G to outer ring into holes supplied starting at end of curved ring with crystal A installing 2 of each length cascading to the inside.
6. Install 25 watt G9 xenon bulbs by gently pushing into socket.

(Caution: Xenon bulbs get very hot and may burn you. Always make sure bulbs are off for a minimum 10 minutes before handling)



CRY Code	MAXIM CRY#	CRY Code	MAXIM CRY#
A	CRS39900A	F	CRS39900F
B	CRS39900B	G	CRS39900G
C	CRS39900C		
D	CRS39900D		
E	CRS39900E		

