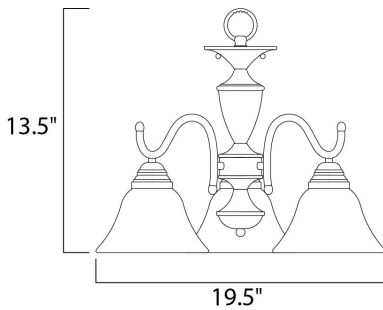




PRODUCT DESCRIPTION

Maxim Lighting's commitment to both the residential lighting and the home building industries will assure you a product line focused on your basic lighting needs. With the Newport collection you will find quality lighting that is well designed, well priced and readily available.



MEASUREMENTS

DIMENSION : 19.5" W x 13.5" H
 HANGING WEIGHT : 6.13 lb

LAMPING

INPUT VOLTAGE : 120V
 LUMENS : 3,450 Rated (0 Del.)
 BULB : 3 x 60W (NOT INCLUDED), 180W Total
 DIMMABLE : Dimmable

FINISHES OPTION

Satin Nickel SN



GLASS

Marble MR

MATERIAL

Steel

RATINGS

cETLusDry Location
 Dimmable



ADDITIONAL

INSTALL UP/DOWN:
 RATED LIFE 2500 Hours
 OPERATING TEMPERATURE:
 -20°C (-4°F), 40°C (104°F)

Always consult a qualified electrician before installing any lighting product.



WESTERN DISTRIBUTION CENTER (HEADQUARTER)
 253 NORTH VINELAND AVE | CITY OF INDUSTRY, CA 91746

EASTERN DISTRIBUTION CENTER
 4200 SHIRLEY DR. | ATLANTA, GA 30336

P. 626.956.4200 | F. 626.956.4225 | maximlighting.com